

T-Series



Developed in conjunction with leading waterproof case and bag manufacturers, OverBoard®, The T-Series has been designed to enable users to take full advantage of the latest tablet app functionality onboard, in all weather conditions. Packages include OverBoard waterproof cases for either the iPad®, or iPad Mini® and are also compatible with similar sized Android® devices.

T-Series

Housing to allow the easy installation of the latest tablet devices.



Manufactured from brilliant white, UV stable acrylic capped ABS, the T-Series tablet mount is both robust and durable

OverBoard waterproof iPad® and iPad Mini® case features:

- 100% waterproof iPad pouch (Class 5)
- Floats safely if dropped in water
- Guaranteed submersible to 19ft / 6m
- Transparent front allowing full use of device features
- iPad case features back window for rear camera support
- Keeps out dust, sand, dirt and water
- Includes padded back and rear hand loop
- Made of environmentally-friendly biodegradable thermoplastic polyurethane (TPU)



Pre-drilled AMPS hole pattern compatible with a wide range of commercially available marine brackets



Simple quick release latches

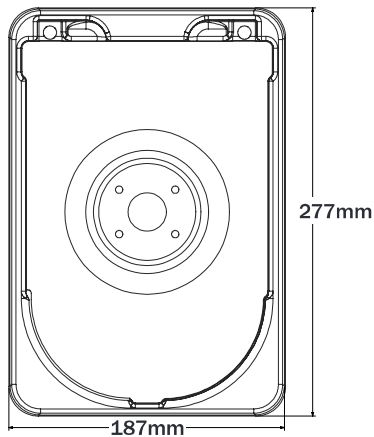


TBL has carbon fibre effect corners

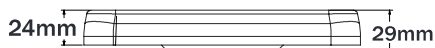
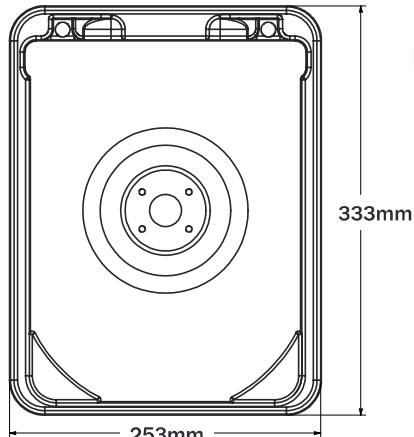
Standard Package

- Package includes MarinePod® Tablet Mount - pre-drilled with a 1" and AMPS hole pattern, iPad Mini® case (TBM) or Overboard® iPad® case (TBL) and quick release latches
- Ability to be mounted directly to any flat surface
- Alternatively install using a commercially available 1" aerial bracket or source a compatible Ram mount

TBM dimensions



TBL dimensions



TBM-OB

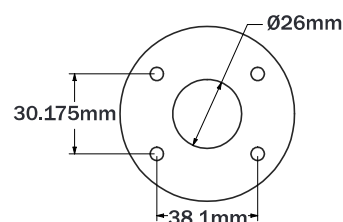
for iPad mini and similar sized tablets

TBL-OB

for iPad and similar sized tablets

Product Order Codes

Pre Drilled Holes Pattern



Standard Installation Packages

Fixed Rail Mount Package

- Package includes TBM-OB/TBL-OB detailed above
- Supplied with MarinePod stainless steel bracket
- Fixed installation
- Ability to be mounted to any 1", 1/4" or 1/8" guard rail



TBM-OB-SS TBL-OB-SS

Product Order Codes

Flexible Deck Mount Package

- Package includes TBM-OB/TBL-OB detailed above
- Supplied with MarinePod recommended Ram® deck mount
- Simple, flexible mounting to any flat surface.
- Complete freedom of movement allows screen to be positioned so as to maintain sunlight legibility
- Tablet mount easily removable thanks to the unique design of the Ram Mount



TBM-OB-RAD TBL-OB-RAD

Product Order Codes

Flexible Helm Mount Package

- Package includes TBM-OB/TBL-OB detailed above
- Supplied with MarinePod recommended Ram helm mount
- Simple, flexible mounting to any 1" or 1/4" guard rail
- Complete freedom of movement allows screen to be positioned so as to maintain sunlight legibility
- Tablet mount easily removable thanks to the unique design of the Ram Mount



TBM-OB-RAH TBL-OB-RAH

Product Order Codes

Flexible Suction Mount Package

- Package includes TBM-OB/TBL-OB detailed above
- Supplied with MarinePod recommended Ram suction mount
- Simple, flexible mounting to gloss flat surface
- Complete freedom of movement allows screen to be positioned so as to maintain sunlight legibility
- Tablet mount easily removable thanks to the suction design of the Ram Mount



TBM-OB-SCT TBL-OB-SCT

Product Order Codes