

## i-Series



The MarinePod® i-Series is a range of housings designed to allow the easy installation of one to four marine instruments on to either 9½” or 12” centre-to-centre binnacle rails, with the i1 additionally being able to be deck mounted

Housing to allow the easy installation of one standard sized marine instrument up to a maximum size of 120mm x 120mm.



**i1**  
Pod only

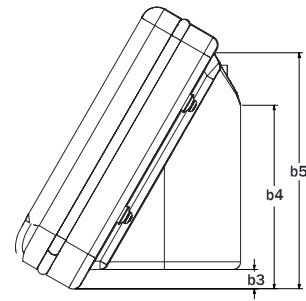
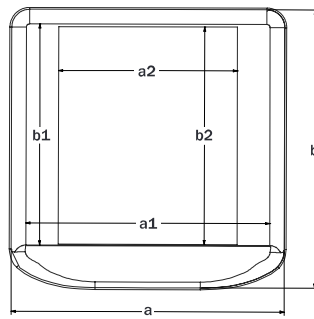
**i1-H**  
Helm mount

**i1-DW**  
White deck base

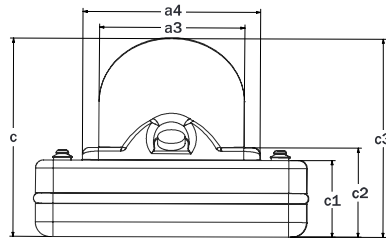
**i1-DB**  
Black deck base

## Product Order Codes

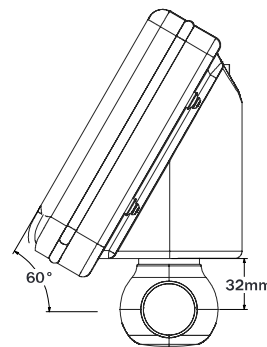
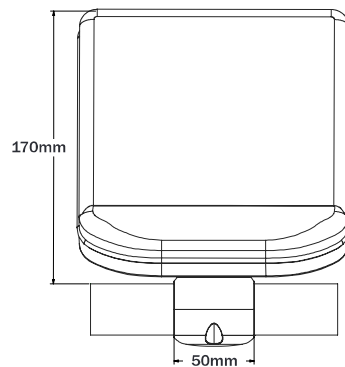
# Pod Dimensions



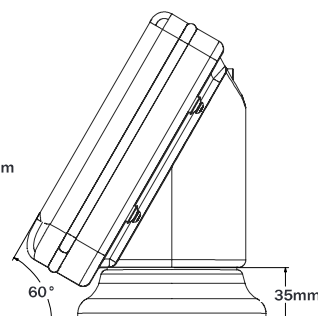
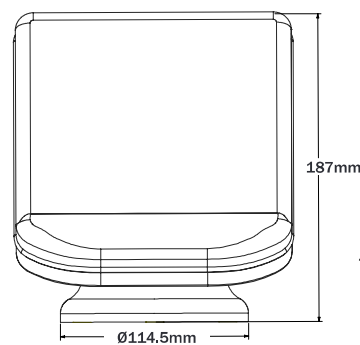
Pod Face Dimensions									
External Dimensions			Max Useable Face				Max Cut Out Area		
a	b	c	a1	b1	a2	b2			
168	171	123	150	136	110	134			
Pod Back Dimensions									
Width		Height				Depth			
a3	a4	b3	b4	b5	c1	c2	c3		
90	110	12	109	140	48	56	84		



## As Installed Pod Dimensions



**Horizontal or Vertical Rail**



**Deck Mount**

Housing to allow the easy installation of two standard sized marine instruments up to a maximum size of 120mm x 120mm each.



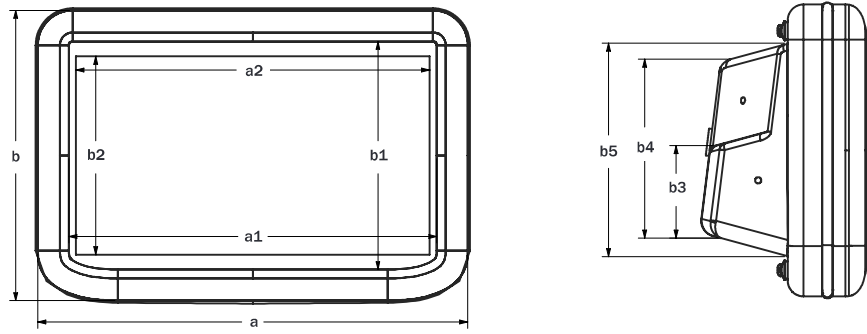
**i2**  
Pod only



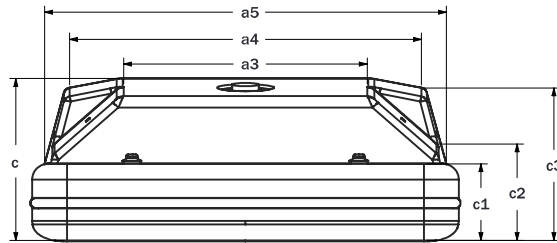
**i2-H**  
Helm mount

## Product Order Codes

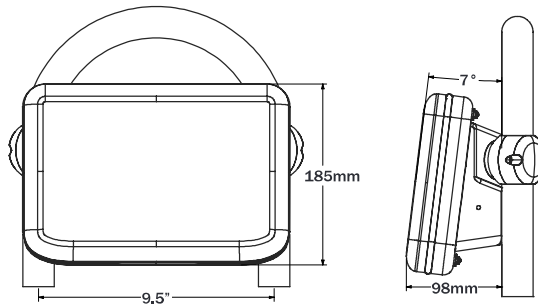
# Pod Dimensions



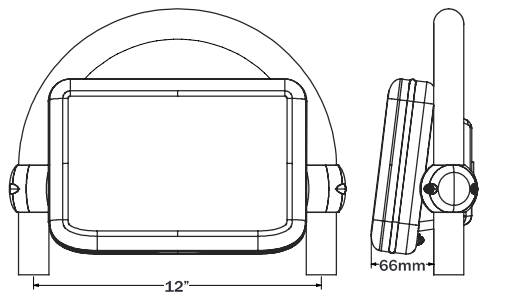
Pod Face Dimensions											
External Dimensions			Max Useable Face				Max Cut Out Area				
a	b	c	a1		b1		a2		b2		
271	183	103	232		144		223		125		
Pod Back Dimensions											
Width			Height				Depth				
a3	a4	a5	b3	b4	b5	c1		c2		c3	
155	224	255	58	112	133	48		61		97	



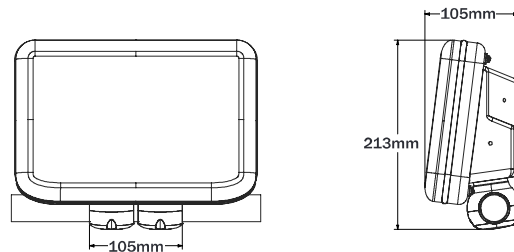
## As Installed Pod Dimensions



**9.5" Binnacle Rail**



**12" Binnacle Rail**



**Horizontal or Vertical Rail**

Housing to allow the easy installation of three standard sized marine instruments up to a maximum size of 120mm x 120mm each.



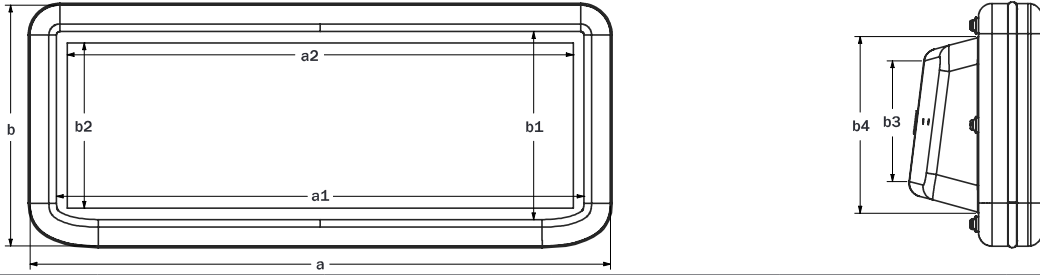
**i3**  
Pod only



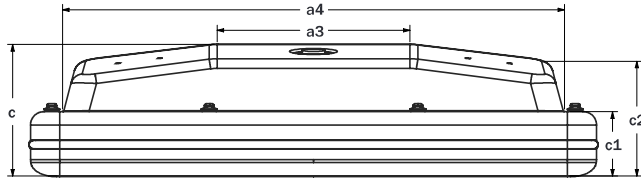
**i3-H**  
Helm mount

## Product Order Codes

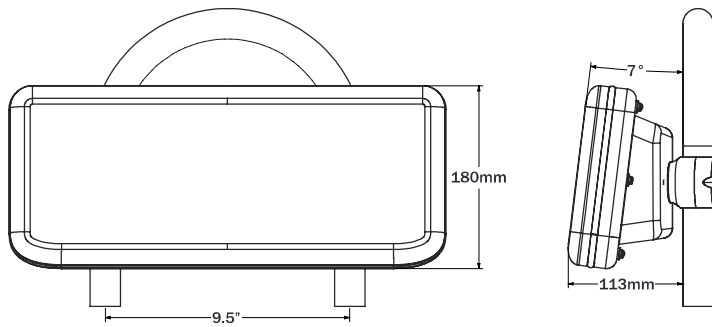
# Pod Dimensions



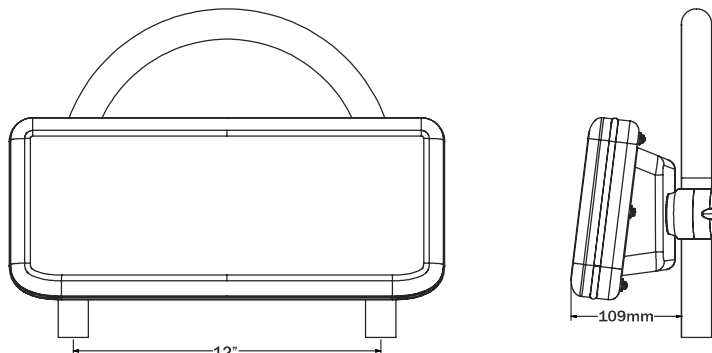
Pod Face Dimensions						
External Dimensions			Max Useable Face		Max Cut Out Area	
a	b	c	a1	b1	a2	b2
428	177	100	389	138	374	122
Pod Back Dimensions						
Width		Height		Depth		
a3	a4	b3	b4	c1	c2	
146	380	88	129	48	87	



## As Installed Pod Dimensions



### 9.5" Binnacle Rail



### 12" Binnacle Rail

# i4

Housing to allow the easy installation of four standard sized marine instruments up to a maximum size of 120mm x 120mm each.



**i4**  
Pod only

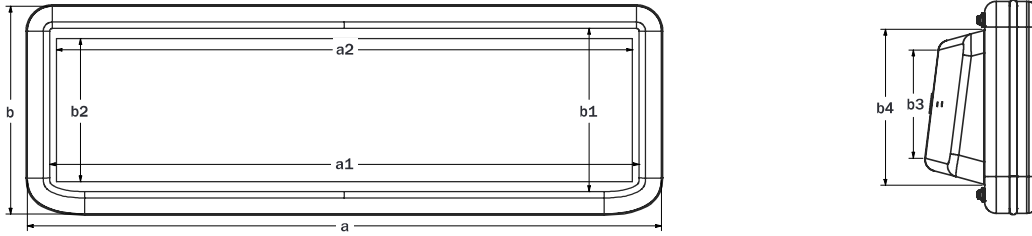


**i4-H**  
Helm mount

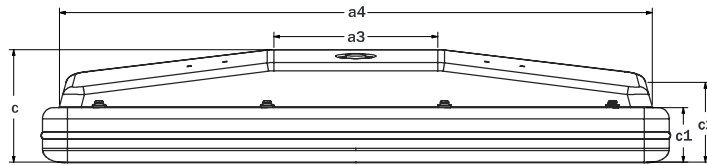
## Product Order Codes



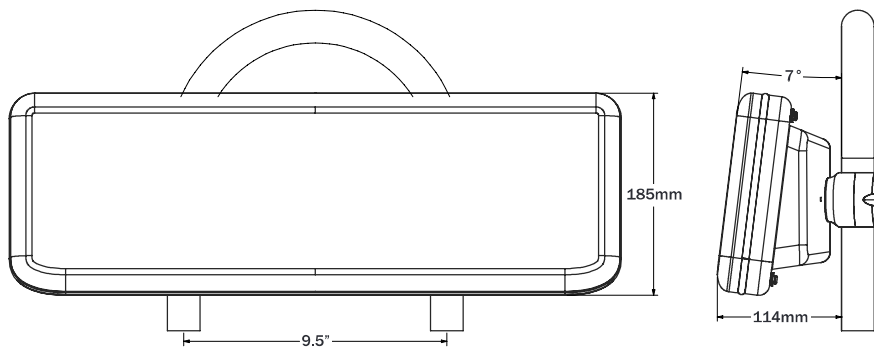
# Pod Dimensions



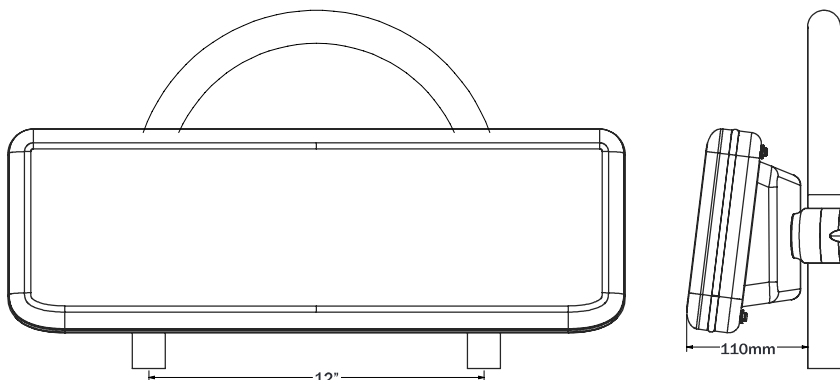
Pod Face Dimensions						
External Dimensions			Max Useable Face		Max Cut Out Area	
a	b	c	a1	b1	a2	b2
558	182	100	519	143	508	126
Pod Back Dimensions						
Width		Height		Depth		
a3	a4	b3	b4	c1	c2	
146	528	93	134	48	71	



## As Installed Pod Dimensions



**9.5" Binnacle Rail**



**12" Binnacle Rail**