

C-Series



The MarinePod® C-Series is a range of housings designed to allow the easy installation of the more traditional 4:3 aspect ratio screen sized chart plotters. From 5" screen size to 15", or a combination of small/medium sized widescreen plotters and three instruments on to either 9½" or 12" centre-to-centre binnacle rails or onto any flat surface by way of the swivel deck mount.

Fits extra small chart plotters up to 5" screen size, standard instruments or thruster controls.



C6
Pod only



C6-H
Helm mount



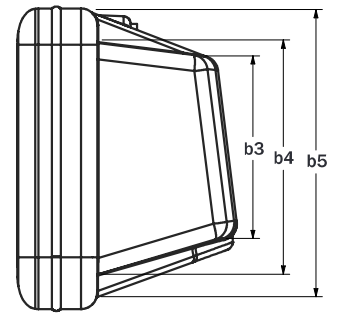
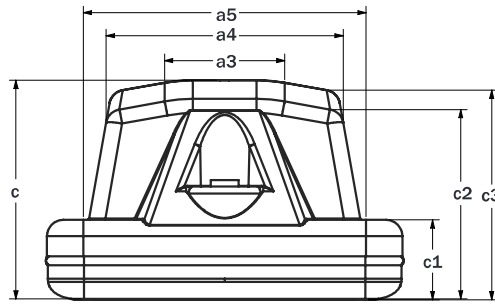
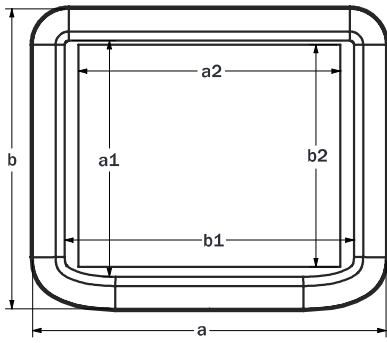
C6-DW
White deck base



C6-DB
Black deck base

Product Order Codes

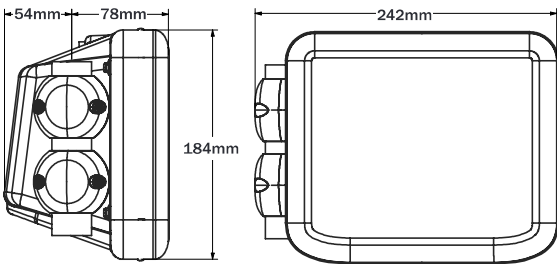
Pod Dimensions



Pod Face Dimensions											
External Dimensions			Max Useable Face			Max Cut Out Area					
a	b	c	a1	b1		a2	b2				
216	183	134	176	155		160	135				
Pod Back Dimensions											
Width			Height			Depth					
a3	a4	a5	b3	b4	b5	c1	c2	c3			
74	145	173	112	143	175	48	116	128			

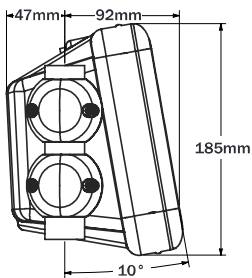
As Installed Pod Dimensions

Pod Plotter Compatibility

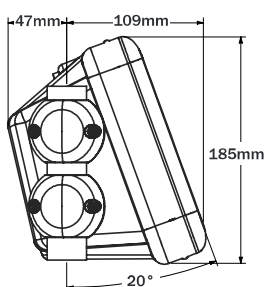
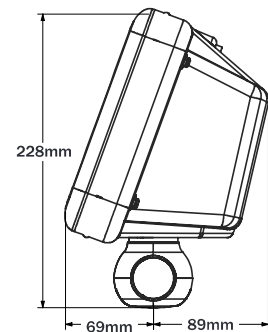
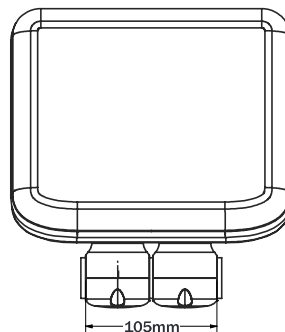


Vertical Rail Position 1

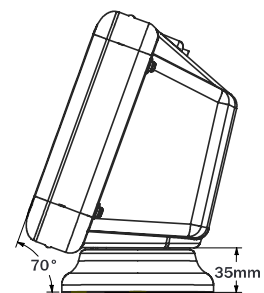
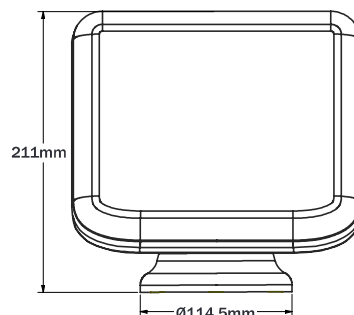
Brand	Model Number
B&G	20/20 HV (install in landscape position)
Garmin	GPSMAP45I GPSMAP52I/527/551/556/557 GPSMAP620
Lowrance	Elite-5m HD
Nasa Marine	AIS Radar Reciever Weatherman Radio Telex Meteoman Easy Navtex
RAYMARINE	A65/A67/A68 Dragonfly



Vertical Rail Position 2



Vertical Rail Position 3



Deck Mount

C10

Housing to allow the easy installation of medium, 4:3 aspect ratio screen sized chart plotters or a combination of small sized widescreen plotters and three instruments.



C10
Pod only



C10-H
Helm mount



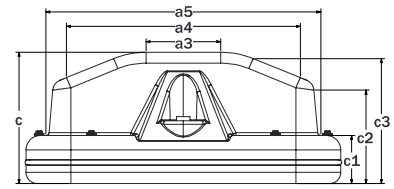
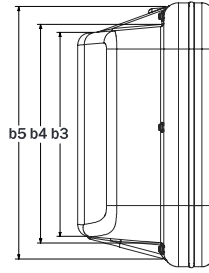
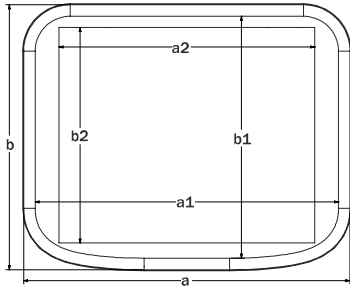
C10-DW
White deck base



C10-DB
Black deck base

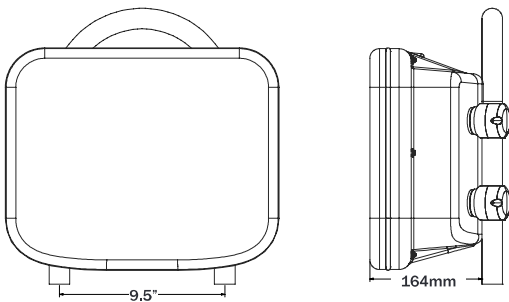
Product Order Codes

Pod Dimensions

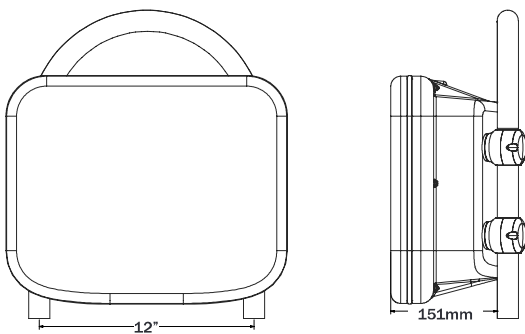


Pod Face Dimensions											
External Dimensions			Max Useable Face				Max Cut Out Area				
a	b	c	a1		b1		a2		b2		
397	322	165	369		294		311		262		
Pod Back Dimensions											
Width				Height				Depth			
a3	a4	a5	b3	b4	b5	c1		c2		c3	
94	295	347	249	266	249	60		116		156	

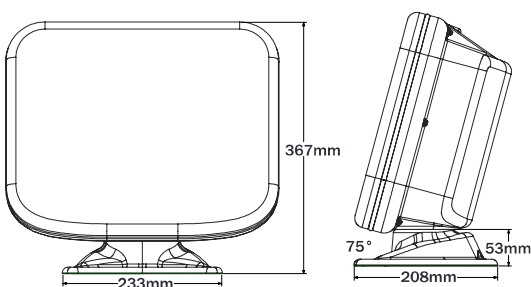
As Installed Pod Dimensions



9.5" Binnacle Rail



12" Binnacle Rail



Deck Mount

Pod Plotter Compatibility

Brand	Model Number
B&G	Zeus Z12/Zeus Touch 12
Furuno	FCV-295/FCV-587 GP-18xx/19xx (not BB)
Garmin	GPSMAP4008/6008 GPSMAP4010 GPSMAP5012/7012 GPSMAP 8012
Humminbird	Onix 10x/ION 10
Lowrance	HDS-10/10m HDS-12m Gen2 Touch
RAYMARINE	C70/ C120/G120 e165 GS125 GS165
SEIWA	SW1101
SIMRAD	NX40 NSO D/110 MO12 NSS12/NSE12
Standard Horizon	CP-500
Techmarine	T15.07/ T15.08 S50.05-S55.05 T55.09-T55.10 T59.09 TM11
The MarinePod C10 is compatible with W7 compatible widescreen plotters and three standard marine instruments - up to an individual size of 110mm x 110mm	

C15

Housing to allow the easy installation of large, 4:3 aspect ratio screen sized chart plotters or a combination of small/medium sized widescreen plotters and three instruments.



C15
Pod only



C15-H
Helm mount



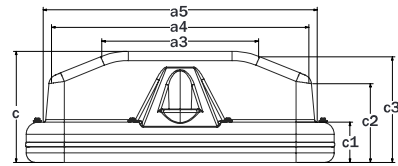
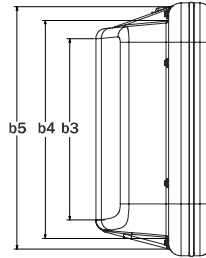
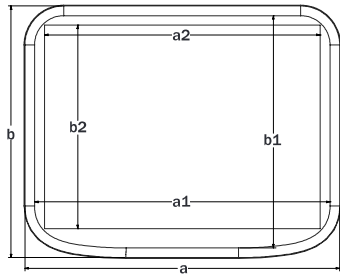
C15-DW
White deck base



C15-DB
Black deck base

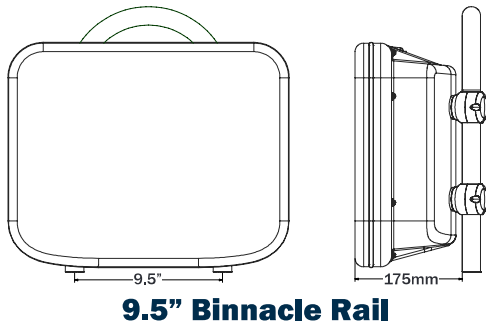
Product Order Codes

Pod Dimensions

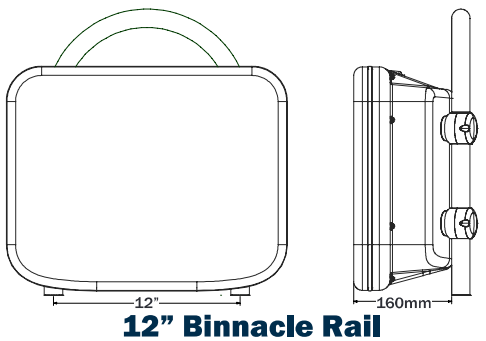


Pod Face Dimensions											
External Dimensions			Max Useable Face				Max Cut Out Area				
a	b	c	a1	b1	a2	b2					
456	364	165	428	336	400	295					
Pod Back Dimensions											
Width				Height				Depth			
a3	a4	a5	b3	b4	b5	c1	c2	c3			
232	381	406	260	314	350	60	116	156			

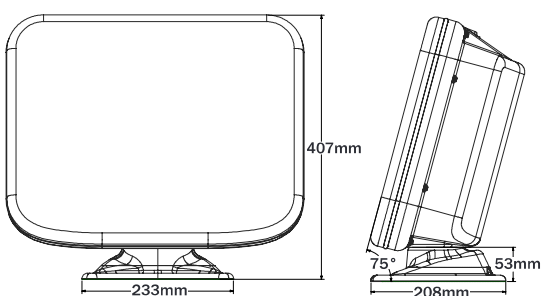
As Installed Pod Dimensions



9.5" Binnacle Rail



12" Binnacle Rail



Deck Mount

Pod Plotter Compatibility

Brand	Model Number
Furuno	MU150HD FCV1150 MFD12 DCU12 CH-250/270/300 FR8062/FR8122/FR8252
Garmin	GPSMAP4012/6012 GPSMAP5015/7015 GPSMAP8015
Geonav and Epak	GIS10/GIS12 G10/G12
JRC	JFE-680
KODEN	CVG200 CVS841 CVS1410/1410hs ESR140MK2 ESR160180
Raymarine	C/E120 widescreen C/E140 widescreen G150
SEIWA	Seawave
Simrad	MO15 NSO D/15 NX45
Standard Horizon	CPV550 CP590
The MarinePod C15 is compatible with W9 compatible widescreen plotters and three standard marine instruments - up to an individual size of 110mm x 110mm	